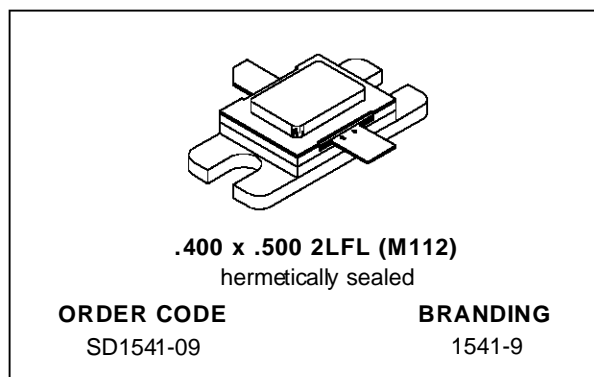
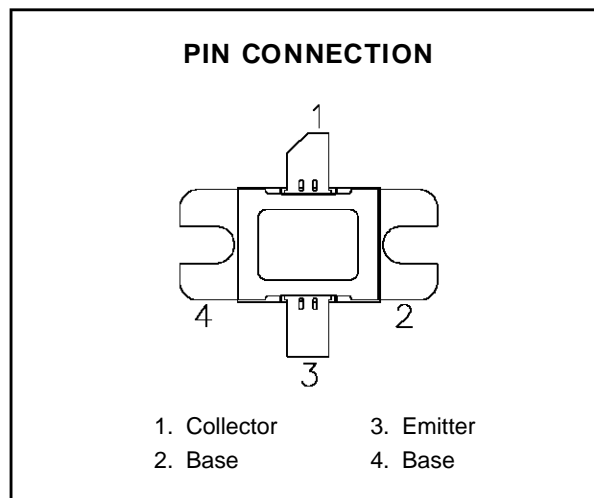


**RF & MICROWAVE TRANSISTORS
AVIONICS APPLICATIONS**

- DESIGNED FOR HIGH POWER PULSED IFF APPLICATIONS
- 450 WATTS (min.) IFF 1030/1090 MHz
- 7.0 dB MIN. GAIN
- REFRACTORY GOLD METALLIZATION
- BALLASTING AND LOW THERMAL RESISTANCE FOR RELIABILITY AND RUGGEDNESS
- 30:1 LOAD VSWR CAPABILITY AT SPECIFIED OPERATING CONDITIONS
- INPUT MATCHED, COMMON BASE CONFIGURATION


DESCRIPTION

The SD1541-09 is a gold metallized silicon NPN planar transistor. The SD1541-09 is designed for applications requiring high peak and low duty cycles such as IFF. The SD1541-09 is packaged in a metal/ceramic package with internal input matching, resulting in improved broadband performance and a low thermal resistance.


ABSOLUTE MAXIMUM RATINGS ($T_{case} = 25^{\circ}C$)

Symbol	Parameter	Value	Unit
V_{CBO}	Collector-Base Voltage	65	V
V_{CEO}	Collector-Emitter Voltage	65	V
V_{EBO}	Emitter-Base Voltage	3.5	V
I_C	Device Current	22	A
P_{DISS}	Power Dissipation	1458	W
T_J	Junction Temperature	+200	$^{\circ}C$
T_{STG}	Storage Temperature	- 65 to +150	$^{\circ}C$

THERMAL DATA

$R_{TH(j-c)}$	Junction-Case Thermal Resistance	0.12	$^{\circ}C/W$
---------------	----------------------------------	------	---------------

SD1541-09

ELECTRICAL SPECIFICATIONS ($T_{case} = 25^{\circ}C$)

STATIC

Symbol	Test Conditions		Value			Unit
			Min.	Typ.	Max.	
BV_{CBO}	$I_C = 25mA$	$I_E = 0mA$	65	—	—	V
BV_{CES}	$I_C = 50mA$	$I_B = 0mA$	65	—	—	V
BV_{EBO}	$I_E = 10mA$	$I_C = 0mA$	3.5	—	—	V
I_{CES}	$V_{CE} = 50V$	$I_E = 0mA$	—	—	25	mA
h_{FE}	$V_{CE} = 5V$	$I_C = .25A$	5	—	200	—

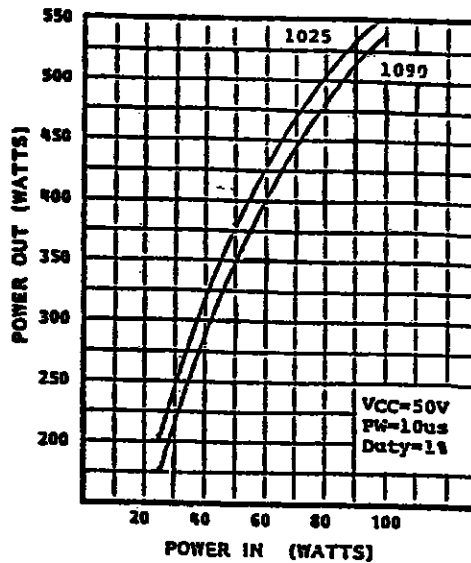
DYNAMIC

Symbol	Test Conditions			Value			Unit
				Min.	Typ.	Max.	
P_{OUT}	$f = 1090\text{ MHz}$	$P_{IN} = 90\text{ W}$	$V_{CE} = 50\text{ V}$	450	—	—	W
G_P	$f = 1090\text{ MHz}$	$P_{IN} = 90\text{ W}$	$V_{CE} = 50\text{ V}$	7.0	—	—	dB

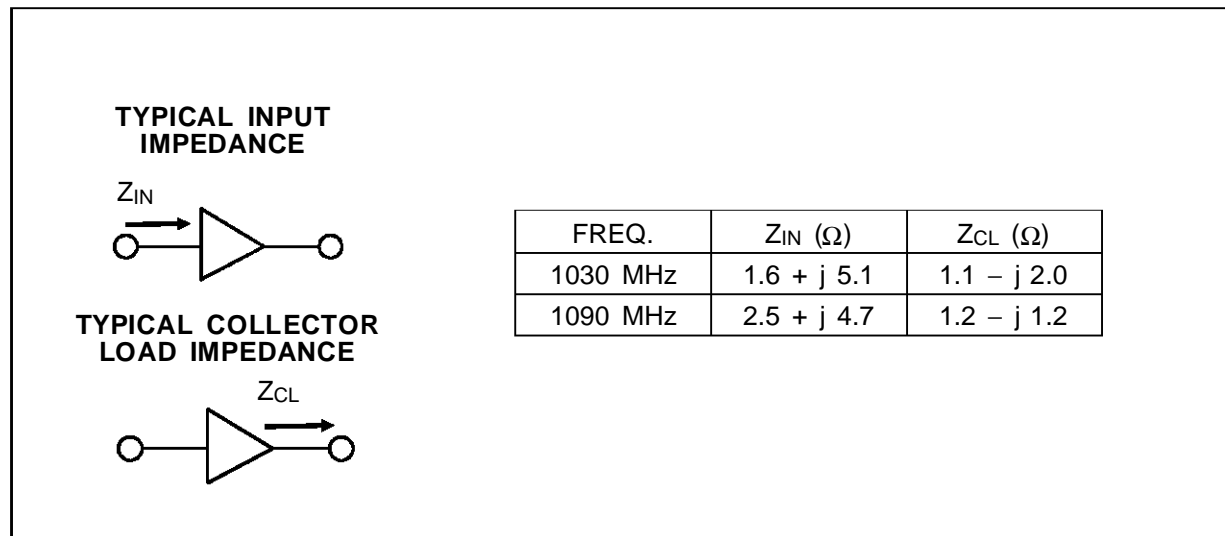
Note: Pulse Width = $10\mu\text{Sec}$, Duty Cycle = 1%

TYPICAL PERFORMANCE

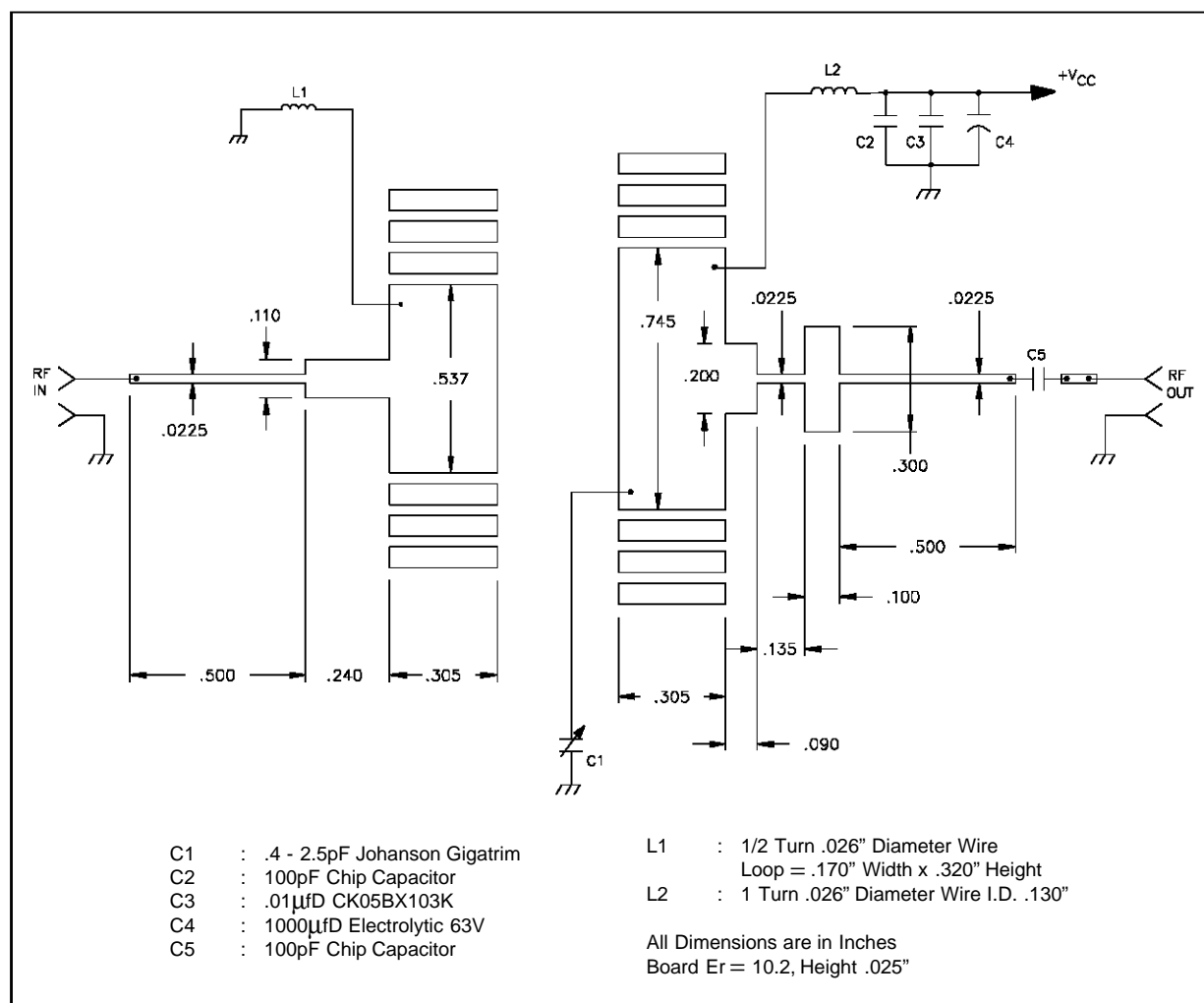
POWER OUTPUT vs POWER INPUT



IMPEDANCE DATA

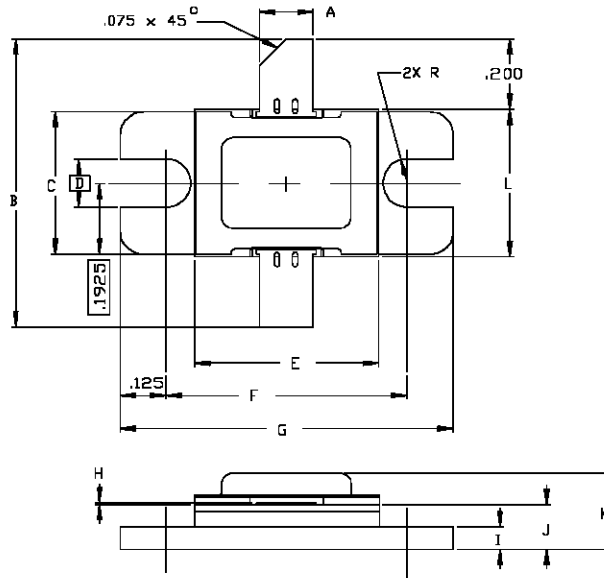


TEST CIRCUIT LAYOUT



PACKAGE MECHANICAL DATA

Ref.: Dwg. No.12-0112



SGS-THOMSON MICROELECTRONICS		
	MINIMUM Inches/mm	MAXIMUM Inches/mm
A	.145/3,68	.155/3,93
B	.750/19,05	
C	.380/9,65	.390/9,91
D	.130/3,30	
E	.495/12,57	.507/12,88
F	.640/16,26	.655/16,64
G	.890/22,61	.910/23,11
H	.002/0,05	.006/0,15
I	.055/1,40	.065/1,65
J	.115/2,92	.135/3,43
K		.230/5,84
L	.395/10,03	.407/10,34

Information furnished is believed to be accurate and reliable. However, SGS-THOMSON Microelectronics assumes no responsibility for the consequences of use of such information nor for any infringement of patents or other rights of third parties which may results from its use. No license is granted by implication or otherwise under any patent or patent rights of SGS-THOMSON Microelectronics. Specifications mentioned in this publication are subject to change without notice. This publication supersedes and replaces all information previously supplied. SGS-THOMSON Microelectronics products are not authorized for use as critical components in life support devices or systems without express written approval of SGS-THOMSON Microelectronics.

© 1994 SGS-THOMSON Microelectronics - All Rights Reserved

SGS-THOMSON Microelectronics GROUP OF COMPANIES
 Australia - Brazil - France - Germany - Hong Kong - Italy - Japan - Korea - Malaysia - Malta - Morocco - The Netherlands -
 Singapore - Spain - Sweden - Switzerland - Taiwan - Thailand - United Kingdom - U.S.A